

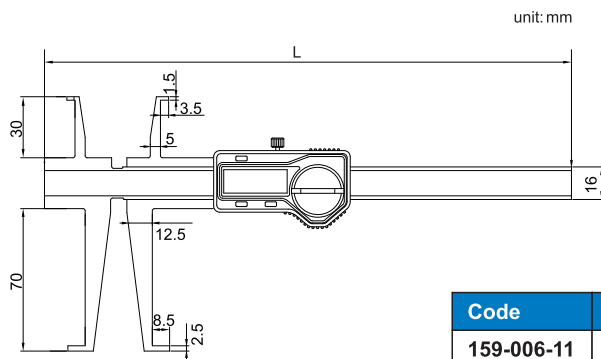
## DIGITAL INSIDE GROOVE CALIPER

## SERIES 159



159-006-11

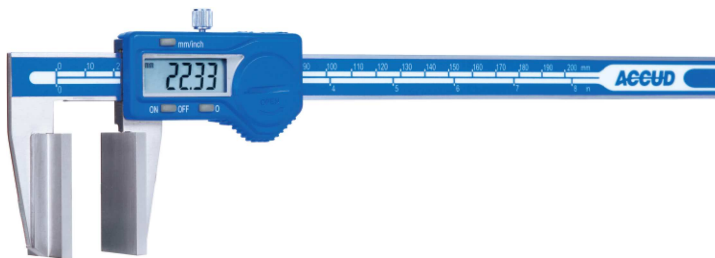
- ◆ Measure diameter of grooves inside bores
- ◆ Resolution: 0.01mm/0.0005"
- ◆ Buttons: on/off, zero, mm/inch
- ◆ Automatic power on/off
- ◆ Data output (cable code:100-11or 100-12)
- ◆ Made of stainless steel



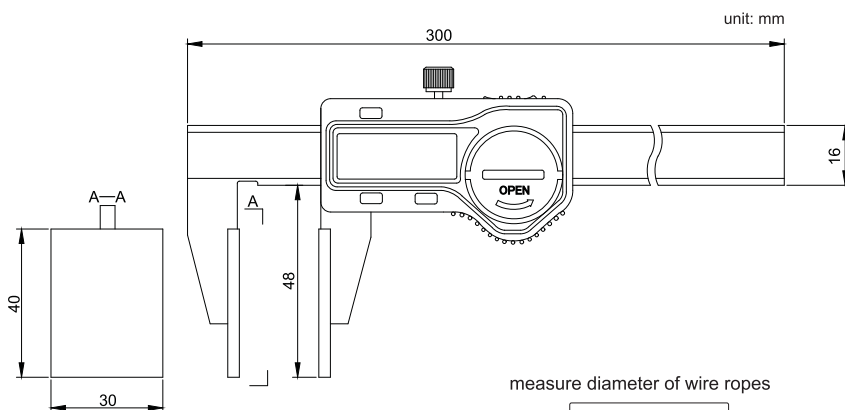
Code	Accuracy	Range of upper Jaw	Range of lower Jaw	L
159-006-11	±0.04mm	9-150mm	15-150mm	260
159-008-11	±0.06mm	9-200mm	15-200mm	310

## DIGITAL CALIPER WITH LARGE MEASURING FACES

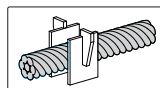
## 167



- ◆ Measure diameter of wire ropes, and thickness of soft materials like rubber, etc.
- ◆ Resolution: 0.01mm/0.0005"
- ◆ Buttons: on/off, zero, mm/inch
- ◆ Automatic power on/off
- ◆ Data output (cable code:100-11or 100-12)
- ◆ Made of stainless steel



measure diameter of wire ropes



Code	Range	Accuracy
167-008-11	0-200mm/0-8"	±0.07mm