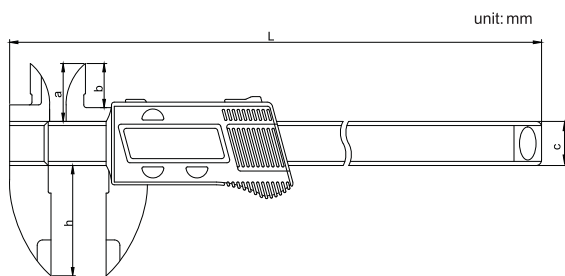
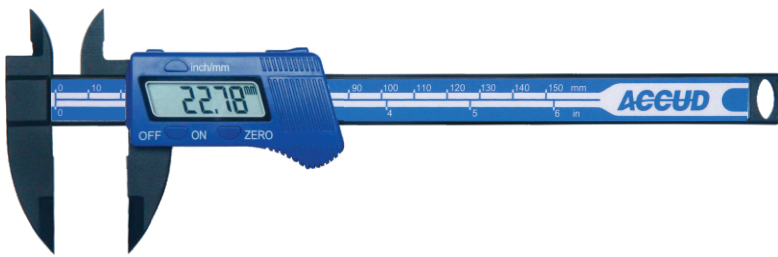


PLASTIC DIGITAL CALIPER

117



- ◆ Made of hard plastic
- ◆ Resolution: 0.01mm/0.0005"
- ◆ Buttons: on/off, zero, mm/inch



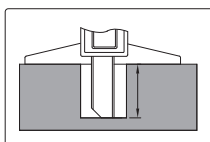
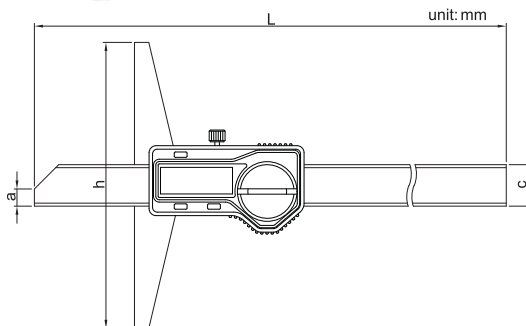
Code	Range	Accuracy	a	b	c	h	L
117-006-11	0-150mm/0-6"	±0.1mm	21	16	16	40	243

DIGITAL DEPTH CALIPER

SERIES 171



171-006-11



- ◆ Resolution: 0.01mm/0.0005"
- ◆ Automatic power on/off
- ◆ Buttons: on/off, zero, mm/inch
- ◆ Data output (cable code:100-11or 100-12)
- ◆ Made of stainless steel

Code	Range	Accuracy	a	c	h	L
171-006-11	0-150mm/0-6"	±0.03mm	6	14.5	100	230
171-008-11	0-200mm/0-8"	±0.03mm	6	14.5	100	280
171-012-11	0-300mm/0-12"	±0.04mm	6	14.5	150	380
171-020-11	0-500mm/0-20"	±0.05mm	7	15	150	585