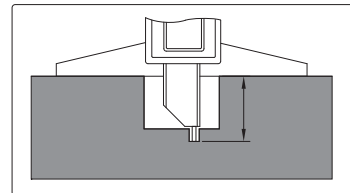
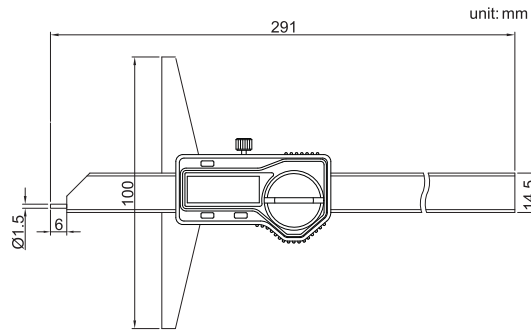
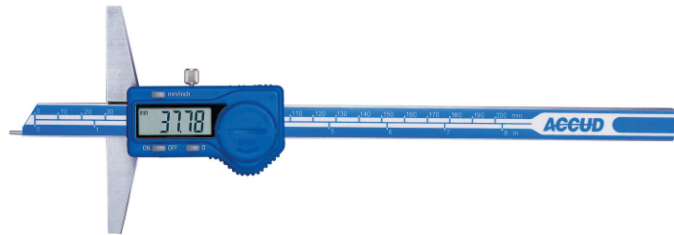


172

DIGITAL PIN DEPTH CALIPER

- ◆ Measure the depth of small holes or grooves
- ◆ Resolution: 0.01mm/0.0005"
- ◆ Automatic power on/off
- ◆ Buttons: on/off, zero, mm/inch
- ◆ Data output (cable code: 100-11 or 100-12)
- ◆ Made of stainless steel

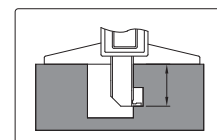
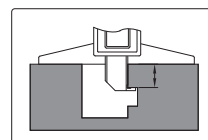
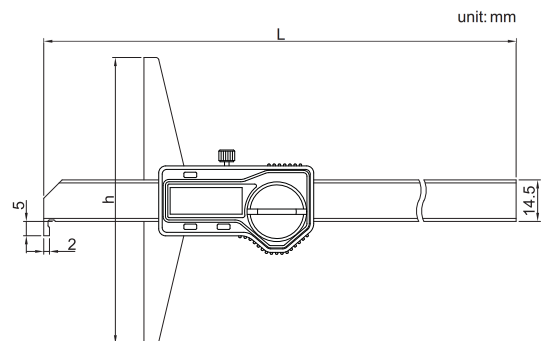
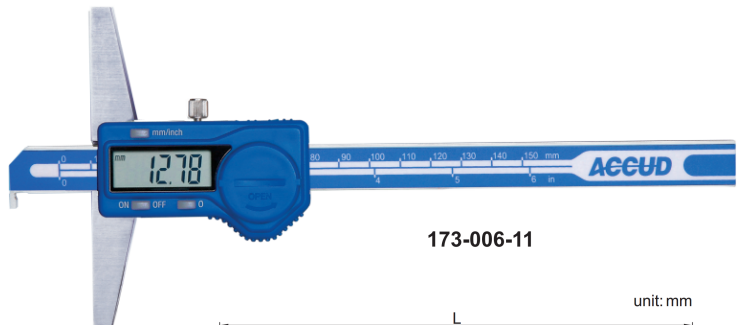


Code	Range	Accuracy
172-008-11	0-200mm/0-8"	±0.03mm

SERIES 173

DIGITAL HOOK DEPTH CALIPER

- ◆ Measure the depth of grooves
- ◆ Resolution: 0.01mm/0.0005"
- ◆ Automatic power on/off
- ◆ Buttons: on/off, zero, mm/inch
- ◆ Data output (cable code: 100-11 or 100-12)
- ◆ Made of stainless steel



Code	Range	Accuracy	h	L
173-006-11	0-150mm/0-6"	±0.04mm	100	230
173-008-11	0-200mm/0-8"	±0.04mm	100	280
173-012-11	0-300mm/0-12"	±0.05mm	150	380