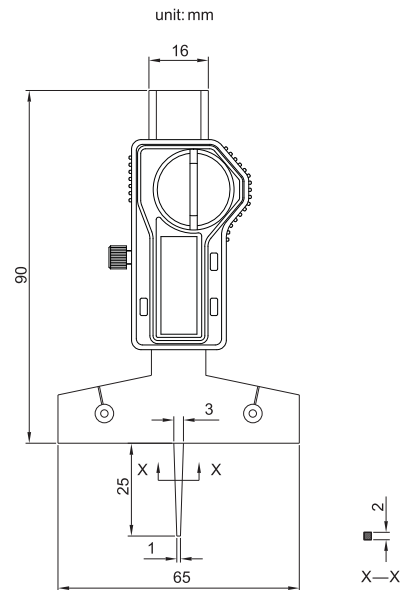


176

DIGITAL DEPTH CALIPER

- ◆ Measure the depth of grooves, small holes and tire thread
- ◆ Resolution: 0.01mm/0.0005"
- ◆ Automatic power on/off
- ◆ Buttons: on/off, zero, mm/inch
- ◆ Data output (cable code: 100-11 or 100-12)
- ◆ Made of stainless steel

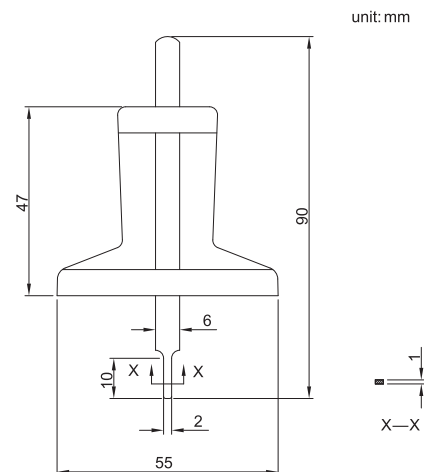


Code	Range	Accuracy
176-001-11	0-25mm/0-1"	±0.03mm

176

VERNIER DEPTH CALIPER

- ◆ Measure the depth of grooves, small holes and tire thread
- ◆ Graduation: 0.1mm
- ◆ Made of stainless steel



Code	Range	Accuracy
176-030-12	0-30mm	±0.10mm