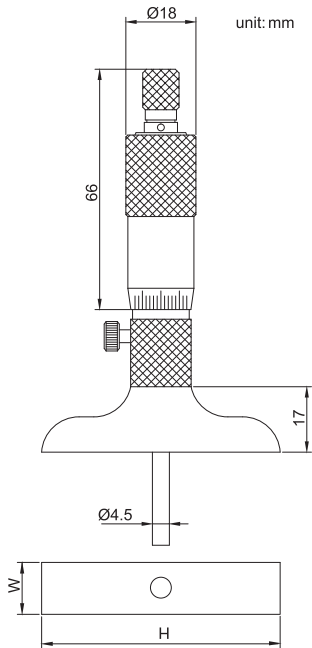


DEPTH MICROMETER

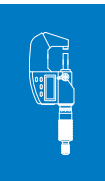
SERIES 391



391-001-01

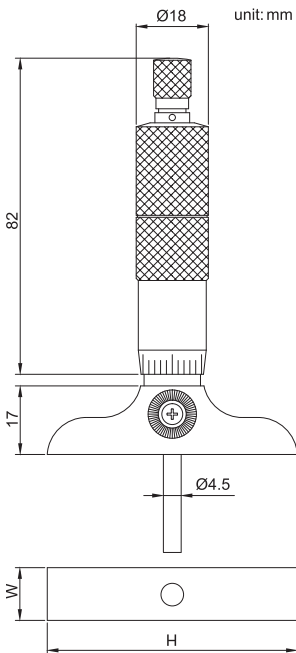
- ◆ Micrometer head accuracy: $\pm 3\mu\text{m}$
- Rod accuracy: $\pm(2+L/75)\mu\text{m}$,
L is the measuring range in mm
- ◆ Supplied with rods
- ◆ Ratchet stop

Code	Range	Base (HxW)
391-001-01	0-25mm	101.5x17mm
391-002-01	0-50mm	101.5x17mm
391-003-01	0-75mm	101.5x17mm
391-004-01	0-100mm	101.5x17mm
391-006-01	0-150mm	101.5x17mm
391-008-01	0-200mm	101.5x17mm
391-012-01	0-300mm	101.5x17mm
391-001-02	0-25mm	63x17mm
391-002-02	0-50mm	63x17mm
391-003-02	0-75mm	63x17mm
391-004-02	0-100mm	63x17mm
391-006-02	0-150mm	63x17mm
391-008-02	0-200mm	63x17mm
391-012-02	0-300mm	63x17mm



DEPTH MICROMETER

SERIES 392



392-001-01

- ◆ Micrometer head accuracy: $\pm 3\mu\text{m}$
- ◆ Rod accuracy: $\pm(2+L/75)\mu\text{m}$,
L is the measuring range in mm
- ◆ Supplied with rods
- ◆ Ratchet stop

Code	Range	Base (HxW)
392-001-01	0-25mm	101.5x17mm
392-002-01	0-50mm	101.5x17mm
392-003-01	0-75mm	101.5x17mm
392-004-01	0-100mm	101.5x17mm
392-006-01	0-150mm	101.5x17mm
392-008-01	0-200mm	101.5x17mm
392-012-01	0-300mm	101.5x17mm
392-001-02	0-25mm	63x17mm
392-002-02	0-50mm	63x17mm
392-003-02	0-75mm	63x17mm
392-004-02	0-100mm	63x17mm
392-006-02	0-150mm	63x17mm
392-008-02	0-200mm	63x17mm
392-012-02	0-300mm	63x17mm