

## SERIES 293

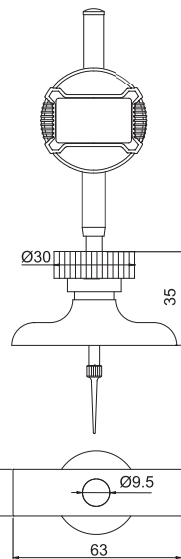
## DIGITAL DEPTH INDICATOR

- ◆ Resolution: 0.01mm/0.0005"
- ◆ Button: tolerance set, data preset, inch/mm conversion, measuring direction set, max./min./range measurement, absolute/incremental measurement
- ◆ Data output (200-01 or 200-02)
- ◆ Automatic power off
- ◆ Stainless steel base
- ◆ Extension rods: 25mm(1pc), 50mm(1pc), 75mm(1pc), 100mm(2pcs)
- ◆ Supplied with pointed tip and ball tip

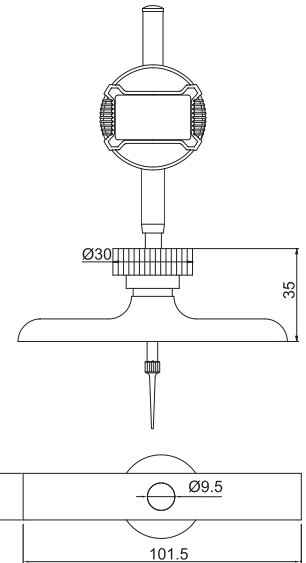


293-300-12

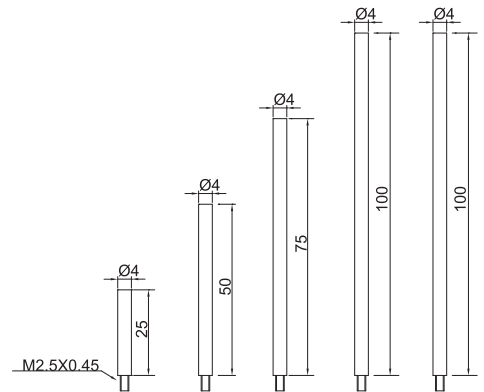
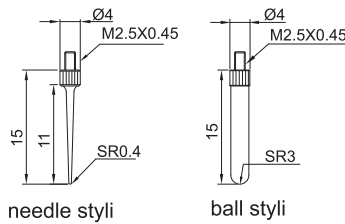
unit: mm



293-300-11



293-300-12



extension rods

Code	Range	Accuracy	Digital indicator stroke	Base
293-300-11	0-300mm/0-12"	±0.03mm	25.4mm/1"	63x17mm
293-300-12	0-300mm/0-12"	±0.03mm	25.4mm/1"	101.5x17mm