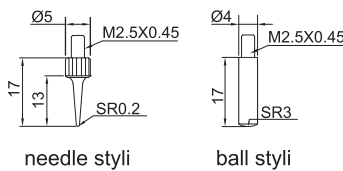


## DIAL DEPTH INDICATOR

## SERIES 291

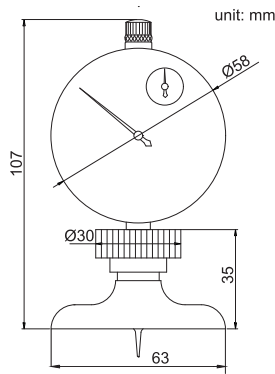


291-010-12

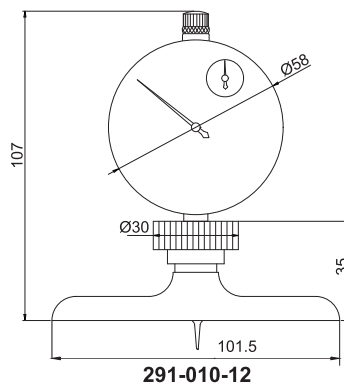


needle styli

ball styli



291-010-11



291-010-12

- ◆ Graduation: 0.01mm
- ◆ Indicator travel: 10mm
- ◆ Accuracy:  $\pm 0.03\text{mm}$
- ◆ Stainless steel base
- ◆ With needle and ball styli

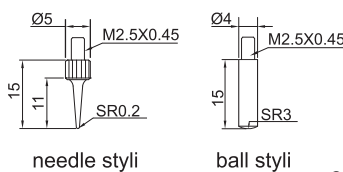
Code	Range	Base
291-010-11	0-10mm	63x17mm
291-010-12	0-10mm	101.5x17mm

## DIAL DEPTH INDICATOR

## SERIES 292

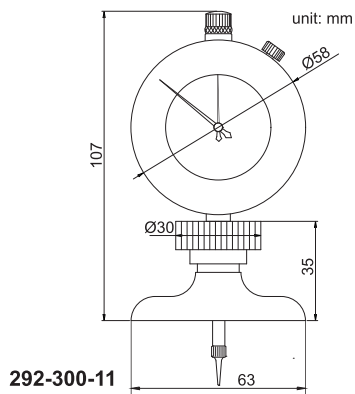


292-300-12

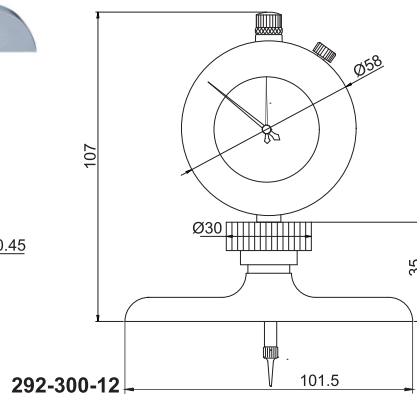


needle styli

ball styli



292-300-11



292-300-12

- ◆ Graduation: 0.01mm
- ◆ Indicator travel: 30mm
- ◆ Accuracy:  $\pm 0.03\text{mm}$
- ◆ Stainless steel base
- ◆ With needle and ball styli
- ◆ Extension rod: 25mm (1pc), 50mm (1pc), 75mm (1pc), 100mm (2pcs)

Code	Range	Base
292-300-11	0-300mm	63x17mm
292-300-12	0-300mm	101.5x17mm

