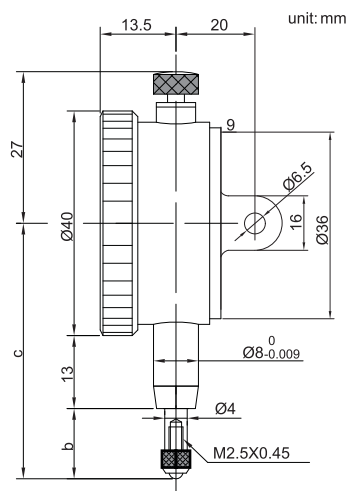


## DIAL INDICATOR

## SERIES 228



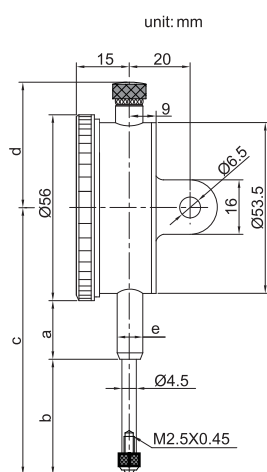
228-005-11

- ◆ Bezel: Ø40mm
- ◆ Graduation: 0.01mm
- ◆ With limit hands
- ◆ Jeweled bearing
- ◆ Rang per revolution: 1mm
- ◆ Supplied with lug and flat back

Code	Range	Accuracy	Hysteresis	Scale	b	c
228-003-11	3mm	14µm	3µm	0-100	11mm	44mm
228-005-11	5mm	16µm	3µm	0-100	12.5mm	45.5mm

## DIAL INDICATOR

## SERIES 229



229-030-11

- ◆ Graduation: 0.01mm
- ◆ With limit hands
- ◆ Rang per revolution: 1mm
- ◆ Supplied with lug and flat back

Code	Range	Accuracy	Hysteresis	Scale	a	b	c	d	e
229-020-11	20mm	25µm	5µm	0-100	20mm	35mm	83mm	37.5mm	Ø8mm
229-030-11	30mm	35µm	7µm	0-100	20mm	40mm	88mm	37.5mm	Ø8mm
229-050-21	50mm	40µm	8µm	0-100	40mm	58mm	127mm	108mm	Ø8mm
229-100-21	100mm	50µm	9µm	0-100	60mm	108mm	207mm	168mm	Ø10mm

