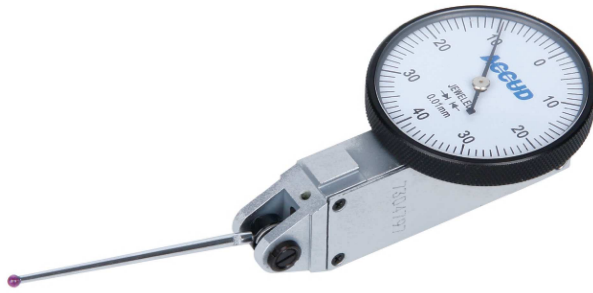
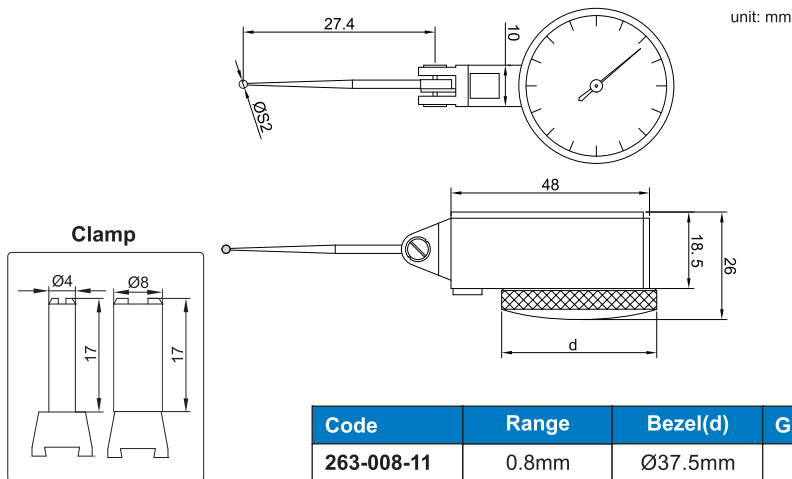


LONG STYLI DIAL TEST INDICATOR

SERIES 263



- ◆ Jeweled bearing
- ◆ Double scale spacing
- ◆ Anti-magnetic copper body
- ◆ With two clamps: Ø4mm and Ø8mm



Code	Range	Bezel(d)	Graduation	Styli	Accuracy	Hysteresis	Scale
263-008-11	0.8mm	Ø37.5mm	0.01mm	carbide	13µm	3µm	0-40-0

STYLI FOR DIAL TEST INDICATOR

SERIES 260



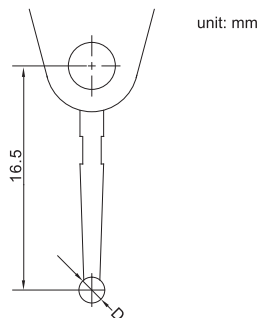
260-002-02



260-010-01

(for 261-008-11 and 261-008-12)

- ◆ For series 261



Code	Tip material	D(mm)
260-001-01	steel	SØ1
260-002-02	carbide	SØ2
260-003-02	carbide	SØ3
260-010-01	ruby	SØ2

