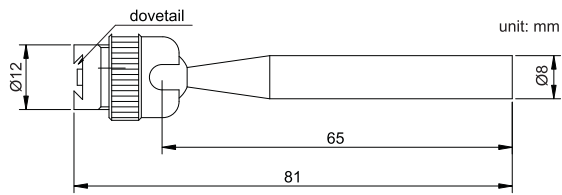


UNIVERSAL HOLDER FOR DIAL TEST INDICATOR

268



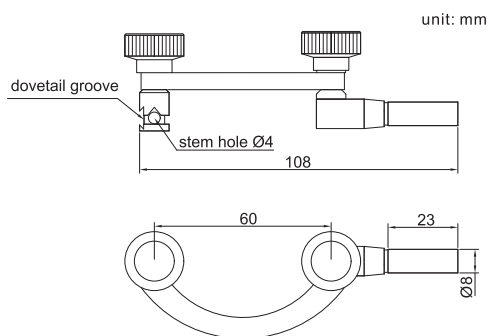
◆ universal head



Code	Section size	Size(L)
268-055-01	Ø8mm	55mm

DIAL TEST INDICATOR CENTERING HOLDER

269



◆ Center cylinders or holes on a machine tool

Code
269-060-01