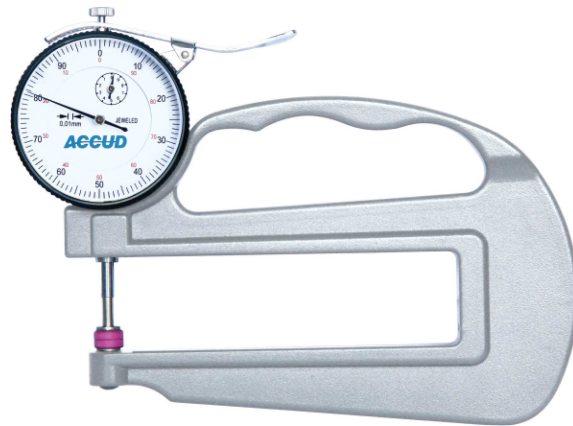


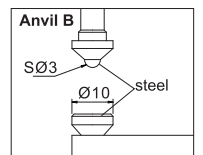
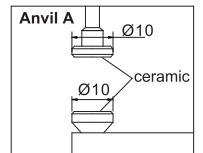
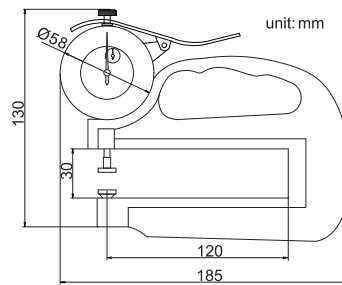
## SERIES 444

## THICKNESS GAUGE

- ◆ Large throat depth, for large workpiece measurement
- ◆ Graduation: 0.01mm



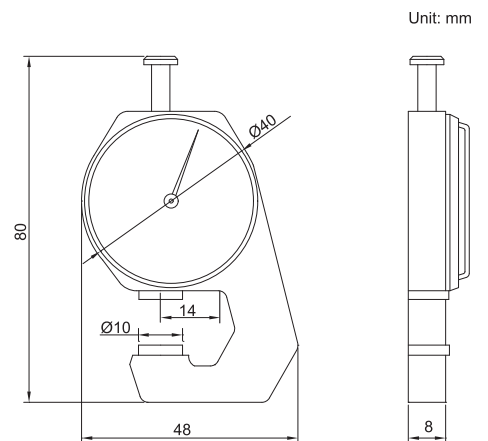
444-010-11



Code	Range	Accuracy	Anvil
444-010-11	0-10mm	±0.02mm	A
444-020-11	0-20mm	±0.03mm	A
444-010-12	0-10mm	±0.02mm	B
444-020-12	0-20mm	±0.03mm	B

## 446

## THICKNESS GAUGE



Code	Range	Graduation	Accuracy
446-010-11	0-10mm	0.1mm	±0.05mm