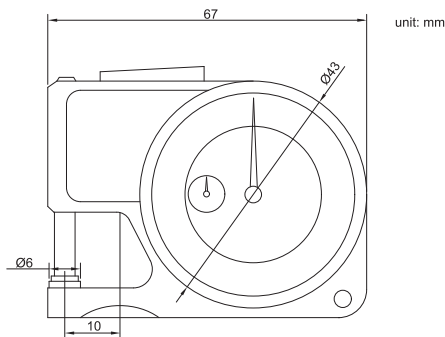


## THICKNESS GAUGE

### 447



- ◆ Stainless steel spindle tip and anvil



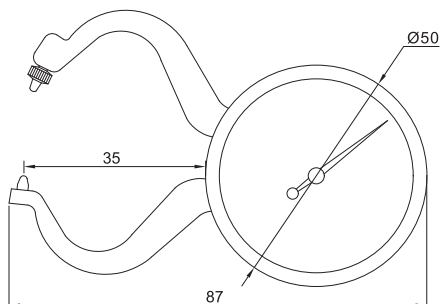
Code	Range	Graduation	Accuracy
447-010-11	0-10mm	0.01mm	±0.02mm

## THICKNESS GAUGE

### 451



unit: mm



Code	Range	Graduation	Accuracy
451-010-11	0-10mm	0.05mm	±0.1mm

