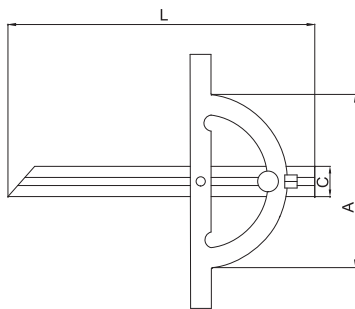


PROTRACTOR

SERIES 813



813-006-01

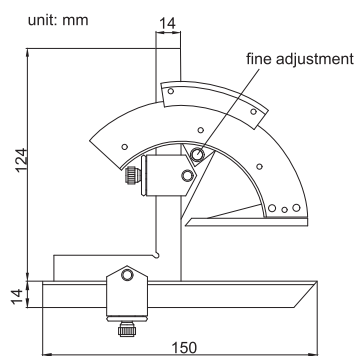
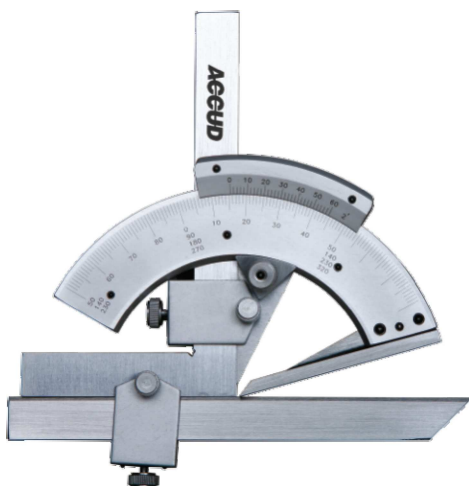


- ◆ Graduation : 1°
- ◆ Made of stainless steel
- ◆ Satin chrome plated scale
- ◆ The blade is moveable

Code	Size (AxL)	Range	Accuracy	C
813-006-01	100x150mm	10 - 170°	±0.3°	18
813-012-01	150x300mm	10 - 170°	±0.3°	18
813-016-01	200x400mm	10 - 170°	±0.3°	20
813-020-01	250x500mm	10 - 170°	±0.3°	20
813-024-01	300x600mm	10 - 170°	±0.3°	20

UNIVERSAL PROTRACTOR

814



- ◆ Graduation : 2'
- ◆ Made of stainless steel
- ◆ Satin chrome plated scale

Code	Range	Accuracy
814-320-01	0-320°	±2'