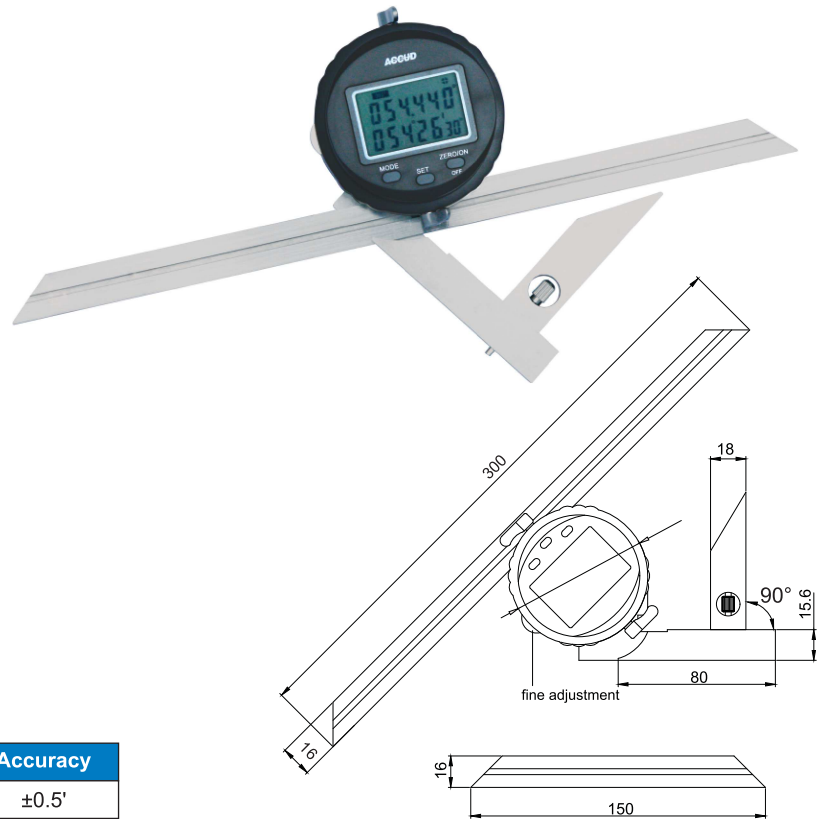


822

DIGITAL PROTRACTOR

- ◆ Button function:
 - SET: preset the reading and change the measuring direction
 - MODE: choose range 90°, 180°, 360°
 - ZERO/ON/OFF: set zero and power on/off
- ◆ Data output (cable code: 200-01 or 200-02)
- ◆ With a 150mm blade and a 90° square
- ◆ Made of stainless steel



Code	Range	Resolution	Accuracy
822-360-01	0 - 360°	0.1°	±0.5'

SERIES 832

90° BEVELED EDGE SQUARE

- ◆ Two beveled measuring faces
- ◆ Made of hardened stainless steel
- ◆ Satin chrome plating

Grade 0

Code	Size(LxW)	Squareness(α)	Squareness(β)	a	b	h
832-002-10	50x40mm	6 μ m	6 μ m	13	13	4
832-003-10	75x50mm	6 μ m	7 μ m	15	15	4
832-004-10	100x70mm	7 μ m	7 μ m	20	20	5
832-006-10	150x100mm	7 μ m	8 μ m	30	30	6
832-008-10	200x130mm	8 μ m	9 μ m	34	34	7
832-010-10	250x165mm	9 μ m	10 μ m	35	35	7
832-012-10	300x200mm	10 μ m	11 μ m	40	40	8

Grade 00

Code	Size(LxW)	Squareness(α)	Squareness(β)	a	b	h
832-002-00	50x40mm	2.4 μ m	2.5 μ m	13	13	4
832-003-00	75x50mm	2.6 μ m	2.8 μ m	15	15	4
832-004-00	100x70mm	2.8 μ m	3.0 μ m	20	20	5
832-006-00	150x100mm	3.2 μ m	3.5 μ m	30	30	6
832-008-00	200x130mm	3.7 μ m	4.0 μ m	34	34	7
832-010-00	250x165mm	4.2 μ m	4.5 μ m	35	35	7
832-012-00	300x200mm	4.6 μ m	5.0 μ m	40	40	8

