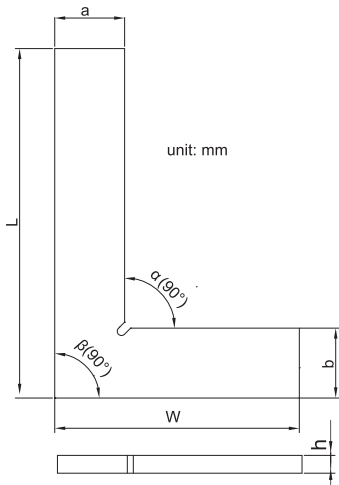


## 90° FLAT EDGE SQUARE

## SERIES 841

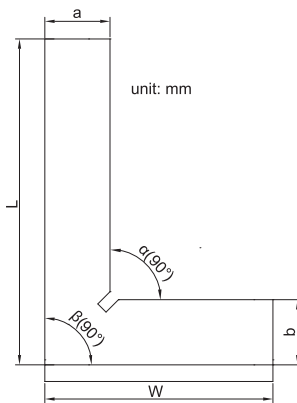


- ◆ DIN875 grade 0
- ◆ Made of hardened stainless steel

Code	Size(LxW)	Squareness( $\alpha$ )	Squareness( $\beta$ )	a	b	h
841-002-10	50x40mm	6 $\mu$ m	6 $\mu$ m	13	13	4
841-003-10	75x50mm	6 $\mu$ m	7 $\mu$ m	15	15	4
841-004-10	100x70mm	7 $\mu$ m	7 $\mu$ m	20	20	5
841-006-10	150x100mm	7 $\mu$ m	8 $\mu$ m	30	30	6
841-008-10	200x130mm	8 $\mu$ m	9 $\mu$ m	34	34	7
841-010-10	250x165mm	9 $\mu$ m	10 $\mu$ m	35	35	7
841-012-10	300x200mm	10 $\mu$ m	11 $\mu$ m	40	40	8

## 90° FLAT EDGE SQUARE WITH WIDE BASE

## SERIES 842



- ◆ DIN875 grade 0
- ◆ Made of hardened stainless steel

Code	Size(LxW)	Squareness( $\alpha$ )	Squareness( $\beta$ )	a	b	c	h
842-002-10	50x40mm	6 $\mu$ m	6 $\mu$ m	13	13	13	4
842-003-10	75x50mm	6 $\mu$ m	6 $\mu$ m	15	15	15	4
842-004-10	100x70mm	7 $\mu$ m	7 $\mu$ m	20	20	20	5
842-006-10	150x100mm	7 $\mu$ m	7 $\mu$ m	30	30	30	6
842-008-10	200x130mm	8 $\mu$ m	8 $\mu$ m	34	34	30	7
842-010-10	250x165mm	9 $\mu$ m	9 $\mu$ m	35	35	35	7
842-012-10	300x200mm	10 $\mu$ m	10 $\mu$ m	40	40	40	8