

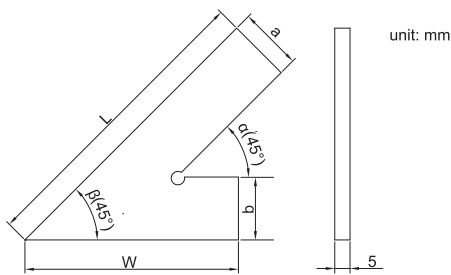
## 45° SQUARE

## SERIES 846

◆ Made of hardened stainless steel



846-005-02



Code	Size(LxW)	Squareness( $\alpha$ )	Squareness( $\beta$ )	a	b
846-004-02	100x70mm	27 $\mu$ m	30 $\mu$ m	20	20
846-005-02	120x80mm	29 $\mu$ m	32 $\mu$ m	20	20
846-006-02	150x100mm	32 $\mu$ m	35 $\mu$ m	20	20
846-008-02	200x130mm	36 $\mu$ m	40 $\mu$ m	25	25

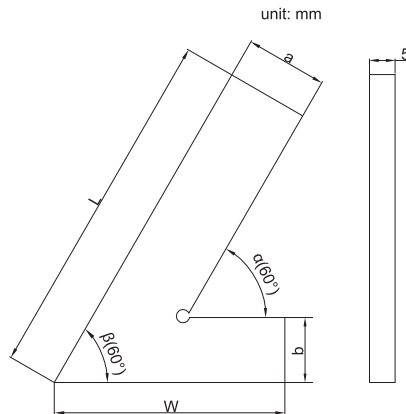
## 60° SQUARE

## SERIES 847

◆ Made of hardened stainless steel



847-004-02



Code	Size(LxW)	Squareness( $\alpha$ )	Squareness( $\beta$ )	a	b
847-004-02	100x70mm	28 $\mu$ m	30 $\mu$ m	20	20
847-005-02	120x80mm	30 $\mu$ m	32 $\mu$ m	20	20
847-006-02	150x100mm	32 $\mu$ m	35 $\mu$ m	20	20
847-008-02	200x130mm	37 $\mu$ m	40 $\mu$ m	25	25