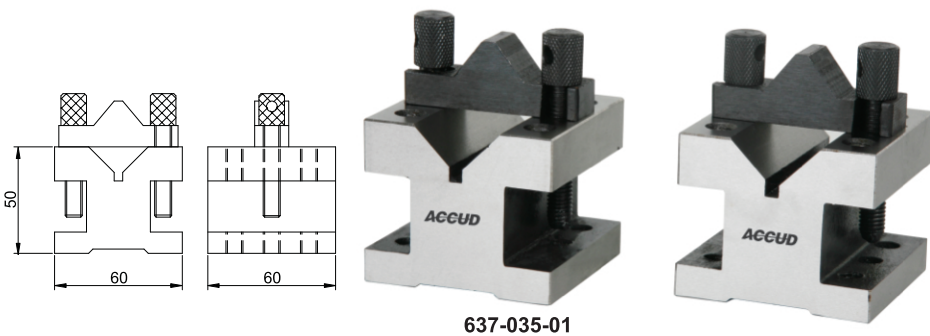
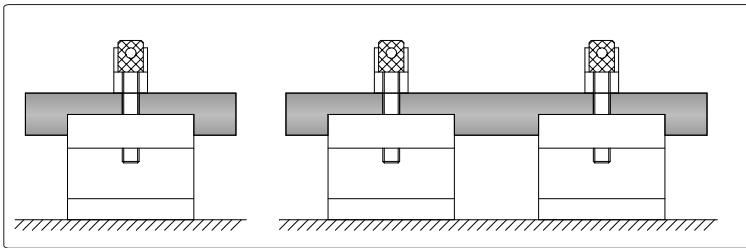


V-BLOCK SET

SERIES 637



637-035-01

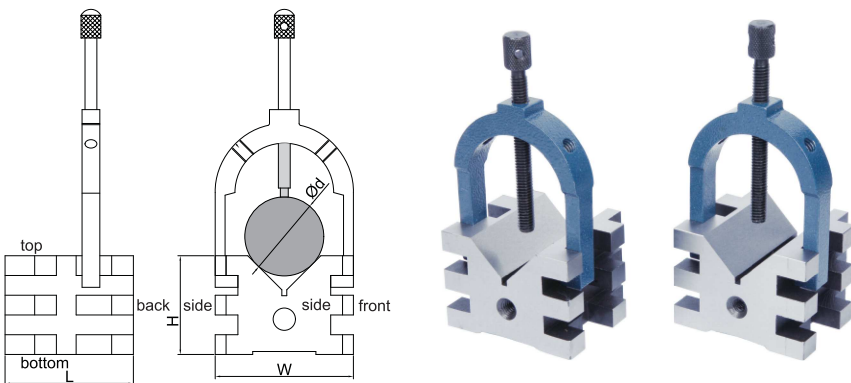


- ◆ Hold cylindrical workpieces for inspection and machining
- ◆ Two V-blocks per set
- ◆ V groove on the top for large shafts

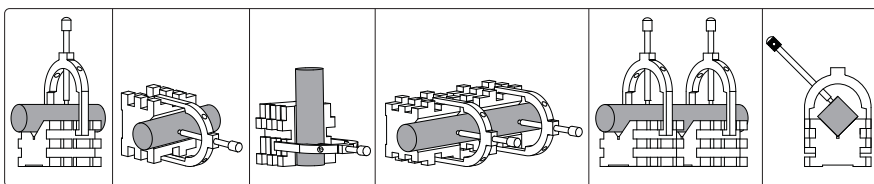
Code	Size(LxWxH)	For shaft range (Ød)	V grooves to top and bottom sides parallelism	V grooves to front and back sides squareness	Height difference of a matched pair
637-035-01	35x35x30mm	3 - 16mm	5µm	5µm	5µm
637-060-01	60x60x50mm	5 - 34mm	5µm	5µm	5µm
637-105-01	105x105x78mm	8 - 66mm	5µm	5µm	5µm

V-BLOCK SET

638



Application



- ◆ Hold cylindrical or rectangular workpieces for inspection and machining
- ◆ Two V-blocks per set
- ◆ Hardened to HRC60±2
- ◆ Applicable for cylinder with diameter (Ød): 5 - 50mm
- ◆ Applicable for rectangular workpieces with thickness: ≤35mm



Code	Size (LxWxH)	Parallelism of V groove to top and bottom sides	Squareness of V groove to front and back sides	Height difference of a matched pair
638-070-01	60x70x50mm	8µm	8µm	8µm